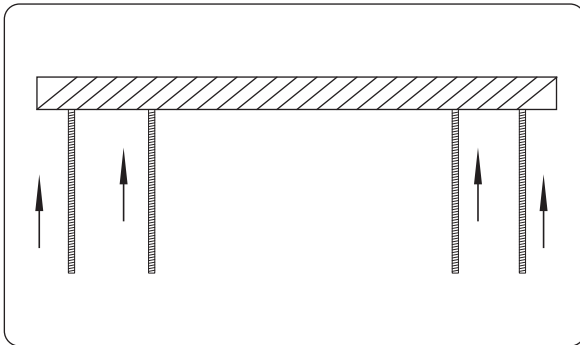


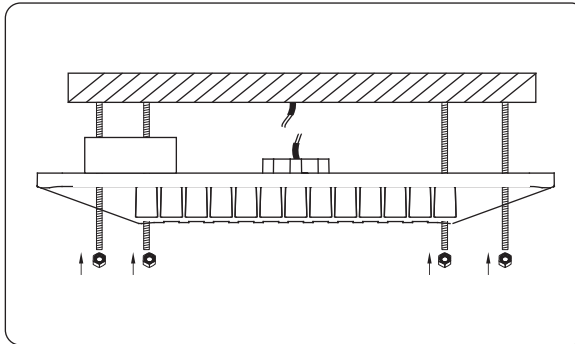
INSTALLATION GUIDE

1. Lad screw mounting method

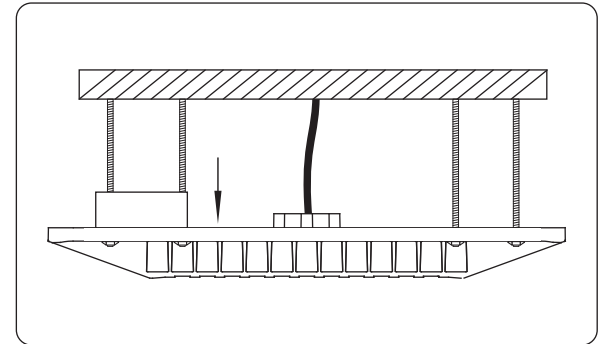
1. Fix four lead screw to the top of the ceiling



2.A: Pass the fixture through the lead screw;
B: Screw up the nuts;
C: Finish wiring (Black for Line, White for Neutral and Green/Yellow Green wire for Ground).

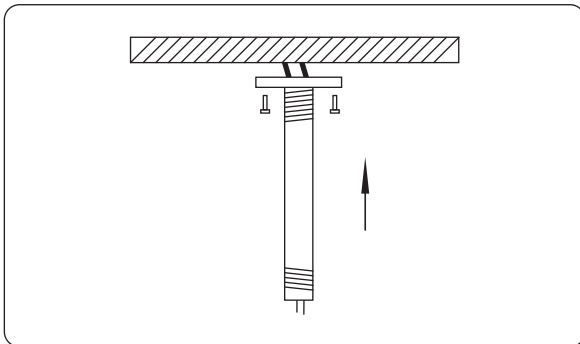


3. Put down the fixture, Installation done.

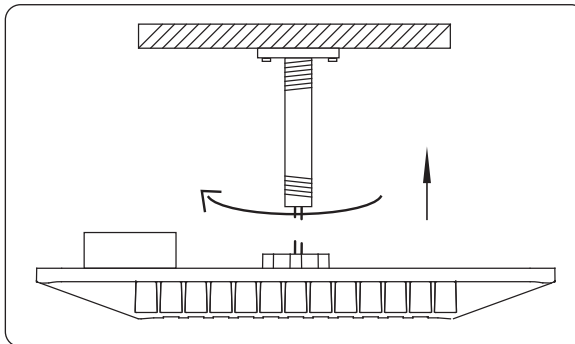


2. Pendent with 3/4 inch Conduit

1.A: Tighten four cross screws to fasten the bracket.
B: Finish wiring (Black for Line, White for Neutral and Green/Yellow Green wire for Ground).



2. Connect the wires threaded from conduit and Canopy, Black wire for Line, White for Neutral, Yellow Green for Ground.



3. Screw the Conduit into the hole on top of Canopy light, Installation done.

